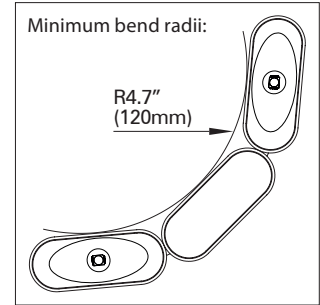
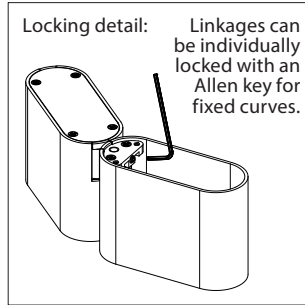
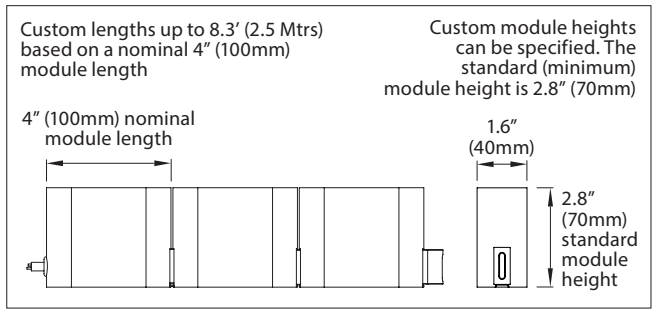


Centura 40 IP20 Class 2

Flexible modular LED pendant lighting system

Up light - 1 x RGB, RGBW, RGBA array, white-light or tuneable-white COB per every other module



Modular flexible LED pendant lighting system IP20 - Up light

Product description:

Centura has an articulated linkage-joint system between modules allowing for flexibility along the major axis. This innovative modular design offers the flexibility to follow curved surfaces, encircle columns and domes, and to make irregular shaped pendants, all whilst offering excellent lighting control and uniformity. This versatility offers the ability for use in a wide range of application areas.

Up light - 1 x white-light COB or 1 x array of Cree RGB, RBW or RGBA LEDs every other module.

Up to 5 Watts per every other 100mm module

30 Volt - 48 Volt DC supply depending on application

Integral LV constant current drivers

Dimming options available: 1 - 10V, DMX and DALI

Various LED colour temperature and CRI options available

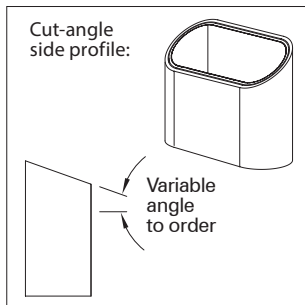
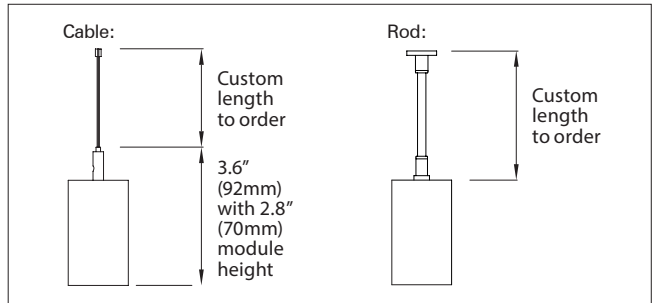
Satin black, satin white or any RAL anodized or powder coat finish

Anti-glare louvres are available

Custom lengths based on a 4" (100mm) module up to 8.3' (2.5 Mtrs)

Rod or cable suspension options. Custom solutions are also available

* Colour mixing lens not available with Centura 40 IP20. See Centura 60 IP20 data sheets for versions with colour-blending Gaggione lens.



Up to 450 Lumens per ft
(Up to 1,500 Lumens per Mtr)

Product Code	No. of LEDs per foot.	IP	Length	LED Type	CRI	Colour Temp. (K)	Optics	Mounting Type	Cut angle (°)	Finish
RAD CENTURA 40 FLEXIBLE UP IP20	2 x COBs/ arrays per ft: 8" (200mm) pitch	20	4" (100mm) to 8.3' (2,500mm) Available in 4" (100mm) increments	Cree: XB-D Bridgelux: COB Luminus: 2016 (array)	80 90	27=2,700k 30=3,000k 35=3,500k 40=4,000k 45=4,500k 50=5,000k * RGB * RGBW * RGBA * Dynamic white	Asymmetric 120° white reflector	Steel Cable Fixed rod	0° - 75° Available in 5 degree increments	Body: Any powder coat or anodized finish Louvre: Any powder coat or anodized finish